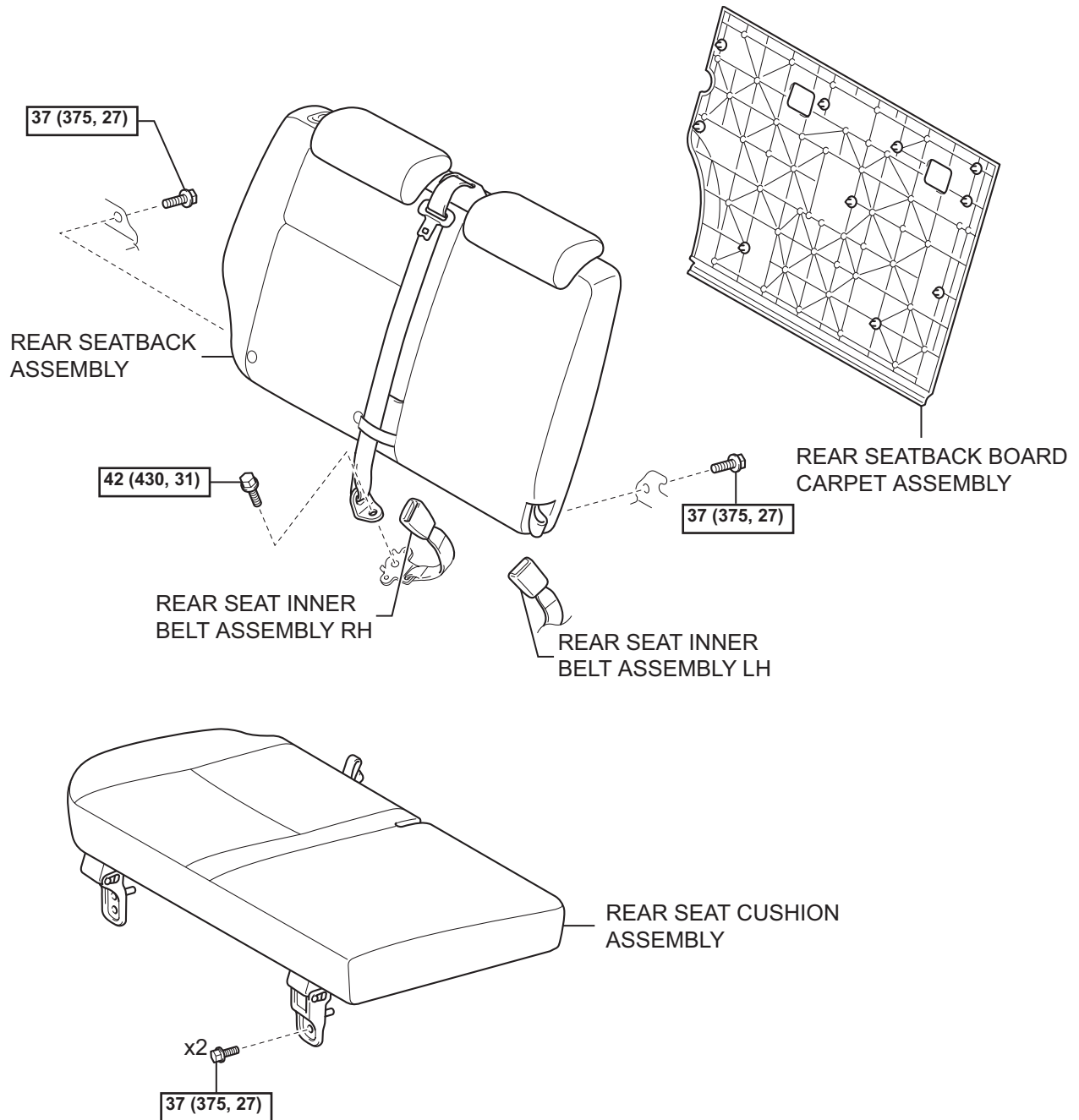
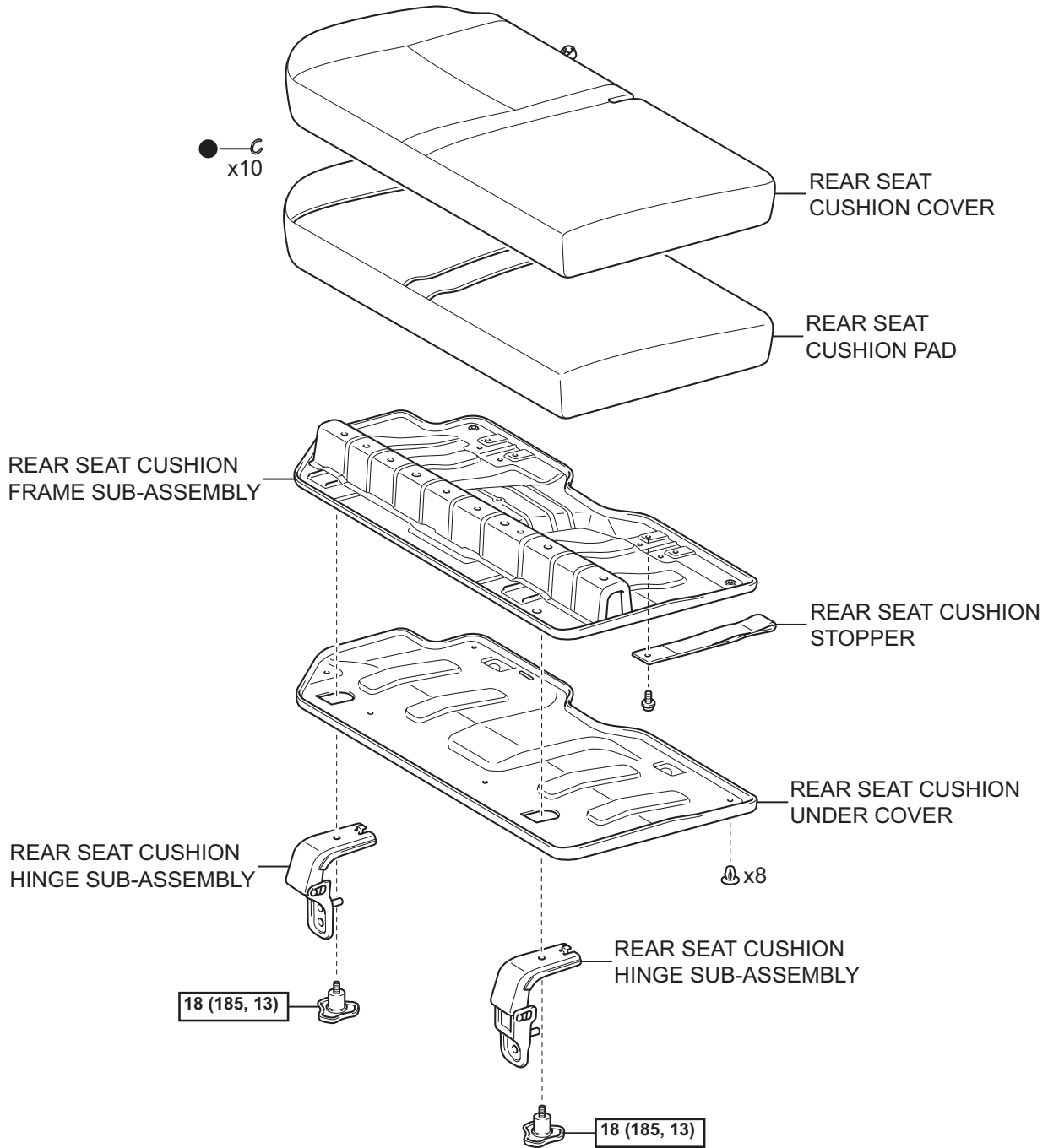


REAR SEAT ASSEMBLY (for RH Side)

COMPONENTS



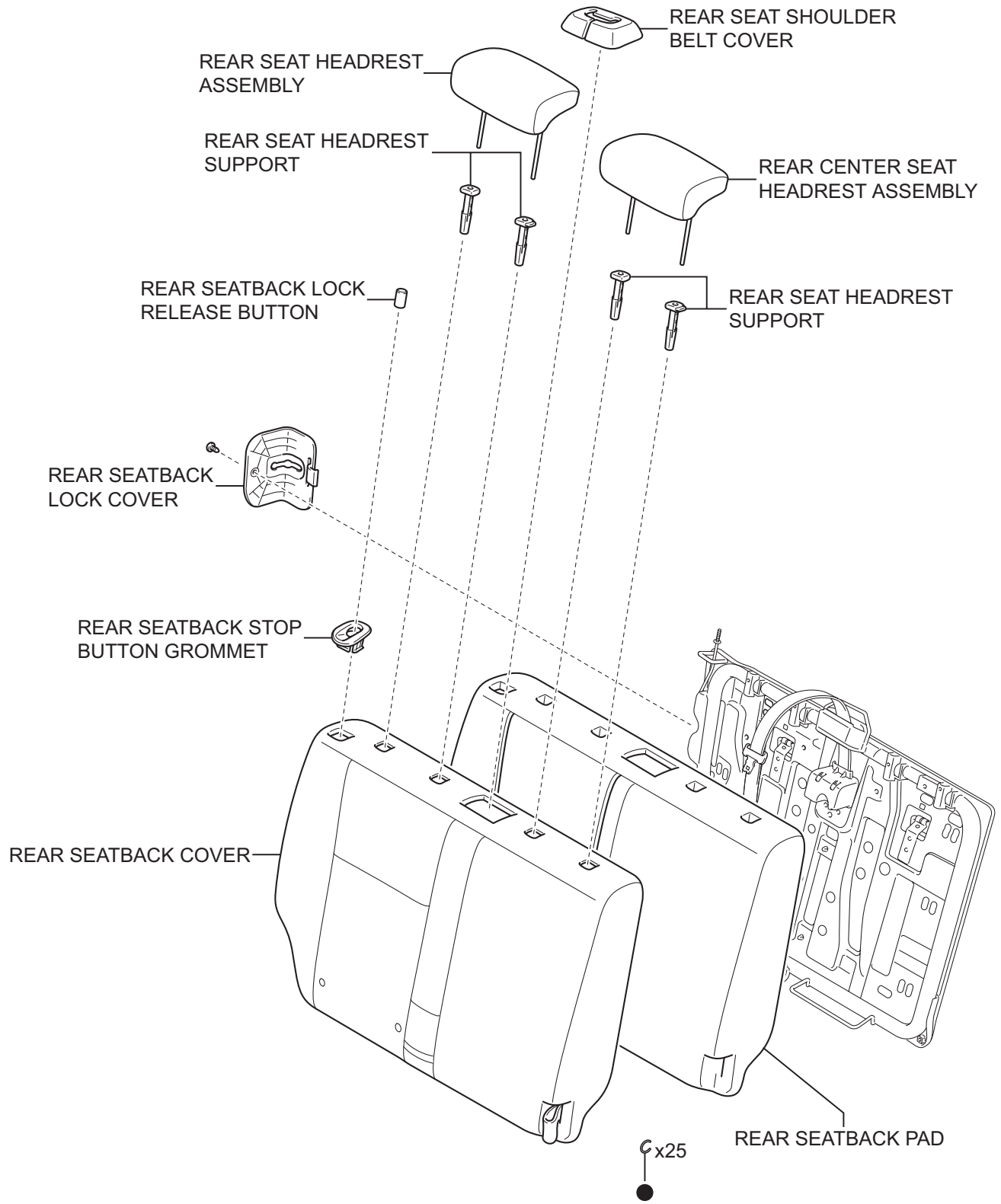
N*m (kgf*cm, ft*lbf) : Specified torque



18 (185, 13) : Specified torque

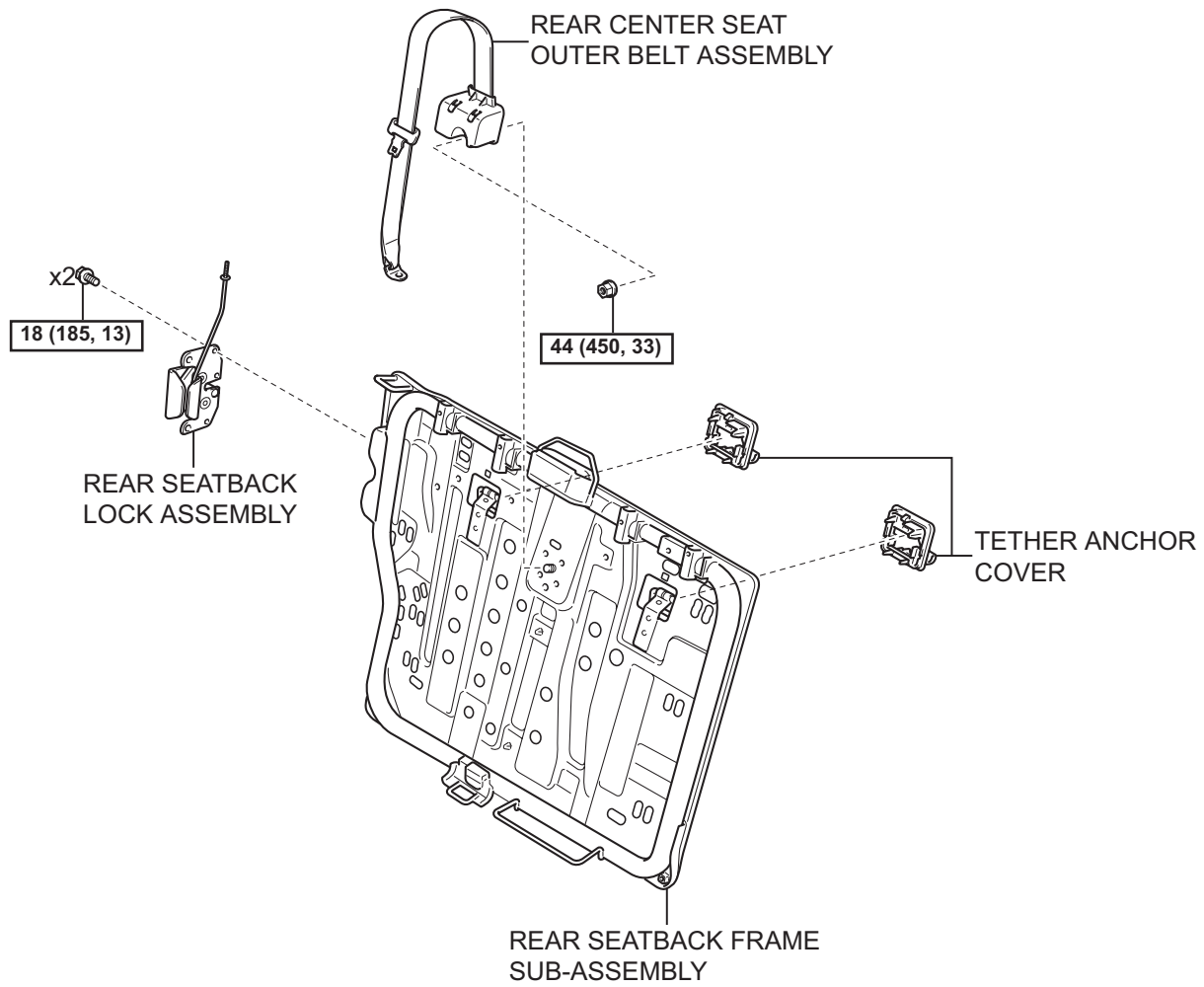
● Non-reusable part

SE



● Non-reusable part

SE



N*m (kgf*cm, ft*lbf) : Specified torque

SE